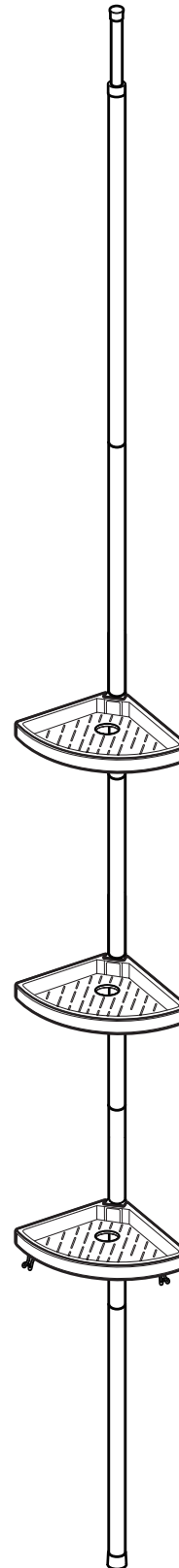


# Floor to Ceiling Corner Shelf

Assembly Instructions - please keep for future reference



## Floor to Ceiling Corner Shelf

Width - 28.8mm

Depth - 19.3cm

Height - Adjustable

**Important – Please read these instructions fully before starting assembly**

If you need help or have damaged or missing parts, call the Customer Helpline: 0121 753 7720



## Safety and Care Advice

**Important – Please read these instructions fully before starting assembly**

- Check you have all the components and tools listed on pages 1 and 2.
- Remove all fittings from the plastic bags and separate them into their groups.
- Keep children and animals away from the work area, small parts could choke if swallowed.
- Make sure you have enough space to layout the parts before starting.

- Do not stand or put weight on the product as this could cause damage.
- Assemble the item as close to its final position (in the same room) as possible.
- Assemble on a soft level surface to avoid damaging the unit or your floor.
- Parts of the assembly will be easier with 2 people.



- We do not recommend the use of power drill/drivers for inserting screws as this could damage the unit. Only use hand screwdrivers.
- Dispose of all packaging carefully and responsibly.

### Care and maintenance

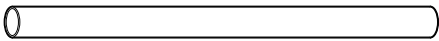

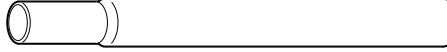


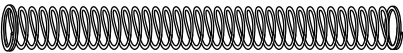
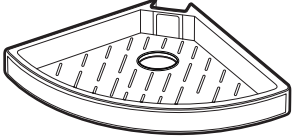
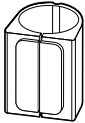




- Only clean using a damp cloth and mild detergent, do not use bleach or abrasive cleaners.
- From time to time check that there are no loose screws on this unit.
- This product should not be discarded with household waste. Take to your local authority waste disposal centre.

# Components - Fittings

If you have damaged or missing components, call the Customer Helpline: 0121 753 7720

Please check you have all the fittings listed below

**Note:** The quantities below are the correct amount to complete the assembly. In some cases more fittings may be supplied than are required.

<p><b>A</b></p>  <p>600mm Aluminium tube 16mm Ø x 1</p>	<p><b>B</b></p>  <p>600mm Aluminium tube 25mm Ø x 1</p>	<p><b>C</b></p>  <p>600mm Aluminium tube 25mm Ø x 2</p>
<p><b>D</b></p>  <p>475mm Aluminium tube 25mm Ø x 1</p>	<p><b>E</b></p>  <p>375mm Aluminium tube 25mm Ø x 1</p>	<p><b>F</b></p>  <p>380mm Spring x 1</p>
<p><b>G</b></p>  <p>Plastic corner shelves x 3</p>	<p><b>H</b></p>  <p>Plastic shelf connectors x 3</p>	<p><b>I</b></p>  <p>Metal hooks x 2</p>
<p><b>J</b></p>  <p>Plastic foot x 1</p>	<p><b>K</b></p>  <p>Large plastic tube end x 1</p>	<p><b>L</b></p>  <p>Small plastic tube ends x 2</p>

Ruler – Use this ruler to help correctly identify the screws

0 5 10 15 20 25 30 35 40 45 50 55 60 65 70 75 80 85 90 95 100 105 110 115 120 125 130 135 140 145 150 155 160 165 170

# Height Assessment

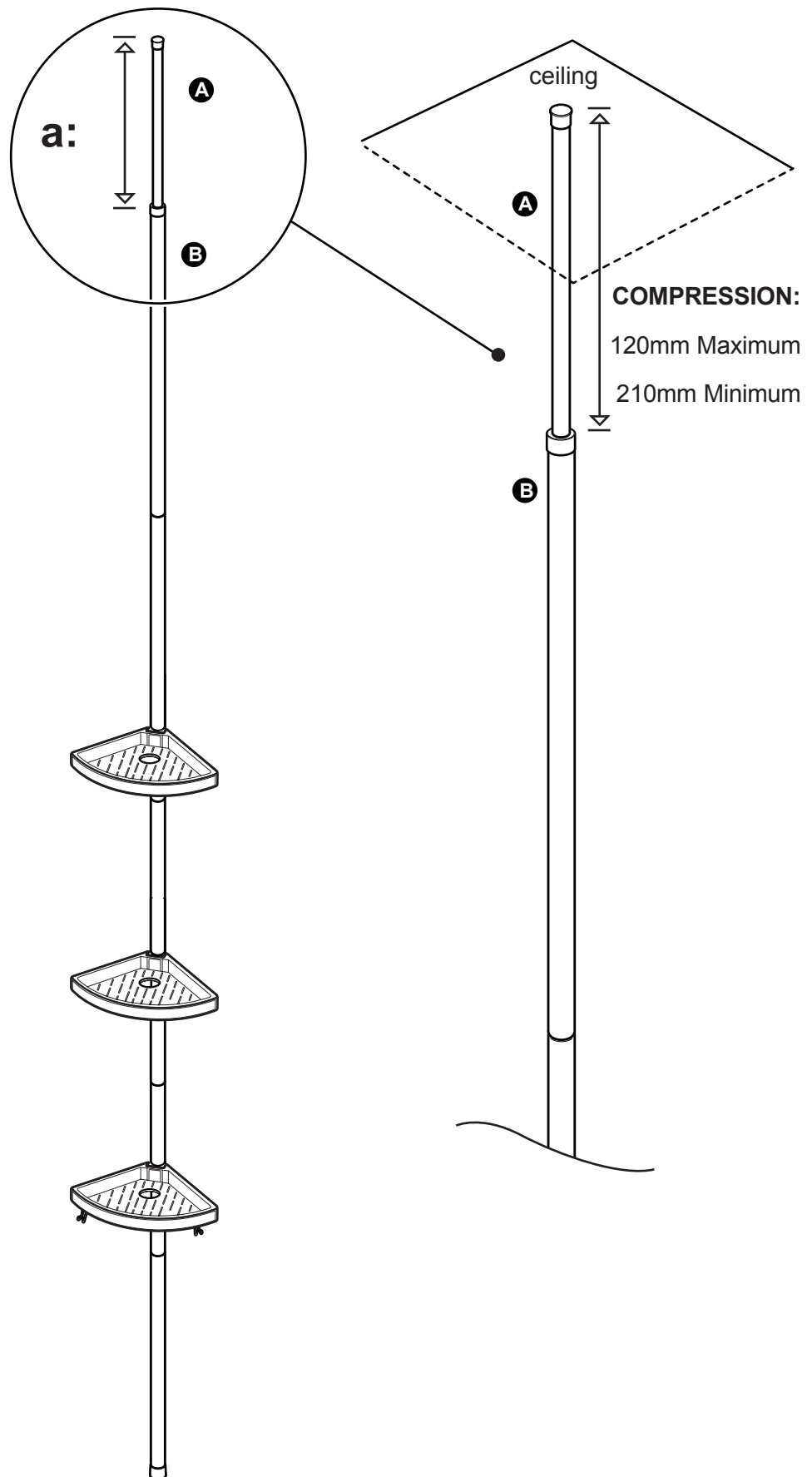
## Step 1

You may need to add or remove aluminium tubes depending on the position chosen for your floor to ceiling corner shelf.

**Note:** The recommended compression depth (a:) of aluminium tube **A** into aluminium tube **B** should follow the guidelines given.

You should also ensure that the ceiling can take the load i.e. not polystyrene ceiling tiles.

**Failure:** To provide the adequate compression of your floor to ceiling corner shelf could result in the item becoming unstable.



# Assembly Instructions

## Step 2

Connect plastic foot **J** to aluminium tube **D**.

## Step 3

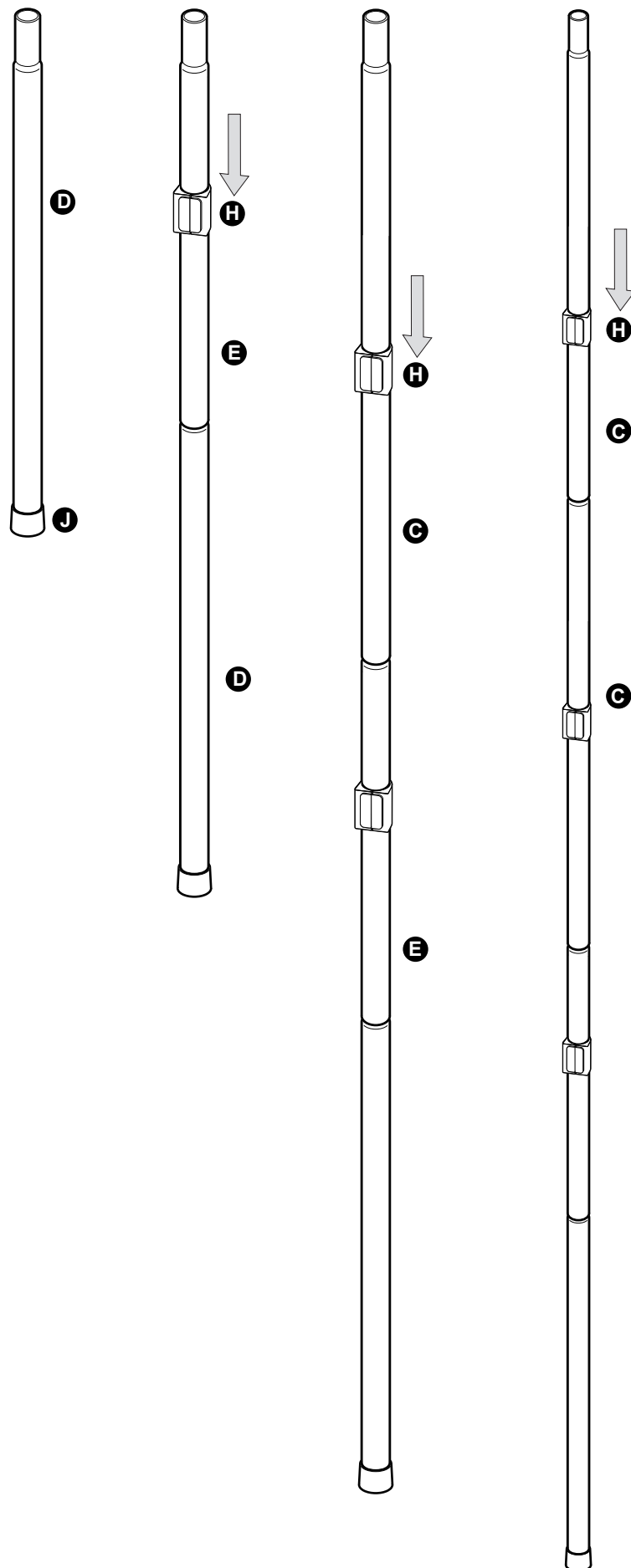
Connect aluminium tube **E** to aluminium tube **D**.  
Slide on 1x **H** plastic shelf connector.

## Step 4

Connect aluminium tube **C** to aluminium tube **E**.  
Slide on 1x **H** plastic shelf connector.

## Step 5

Connect aluminium tube **C** to aluminium tube **C**.  
Slide on 1x **H** plastic shelf connector.



# Assembly Instructions

## Step 6

Connect aluminium tube **B** to aluminium tube **C**.

## Step 7

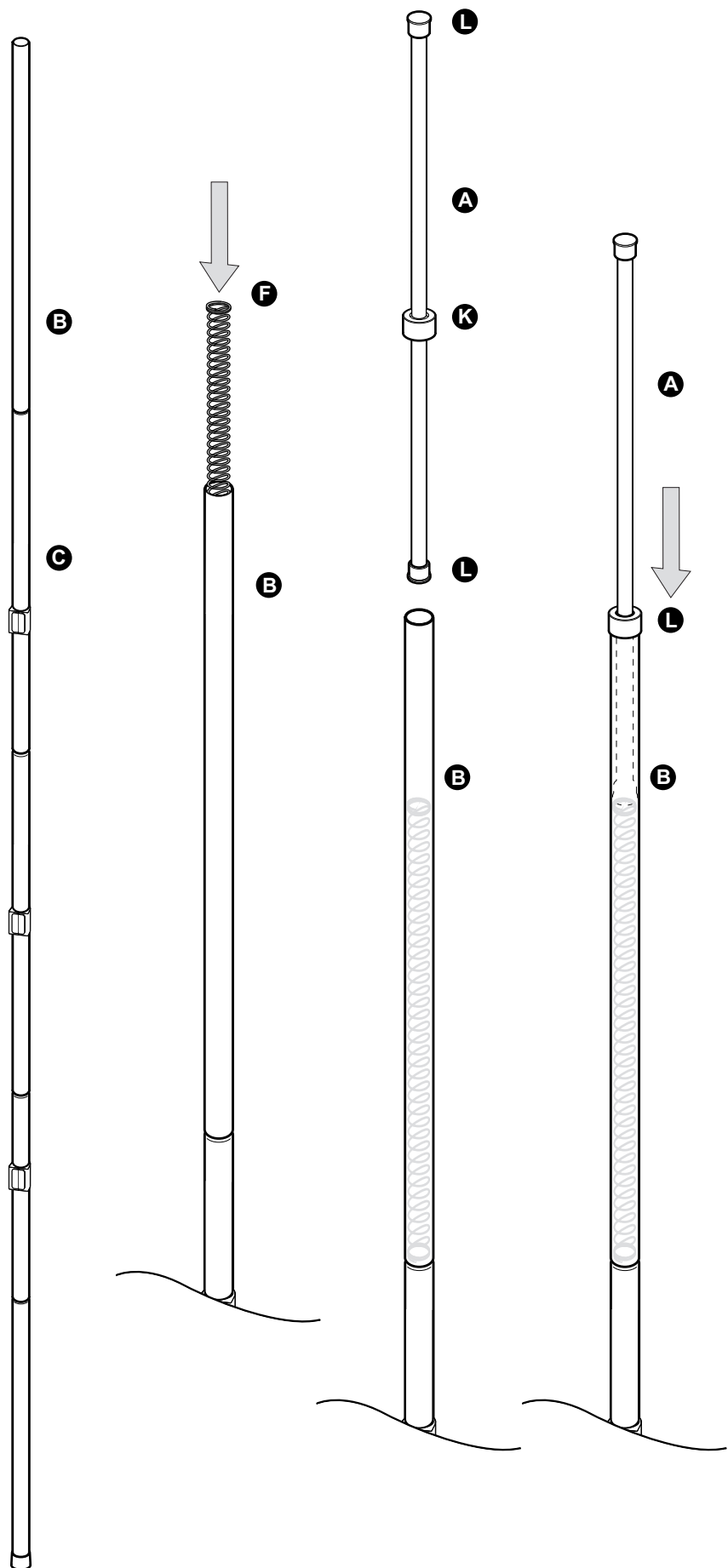
Slide spring **F** inside aluminium tube **B**.

## Step 8

Slide large plastic tube end **K** onto aluminium tube **A**.  
Connect 2 x small plastic tube ends **L** onto the ends of aluminium tube **A**.

## Step 9

Slide aluminium tube **A** with connected pieces into aluminium tube **B**.  
Push down large plastic tube end **L** into position with the top of aluminium tube **B**.

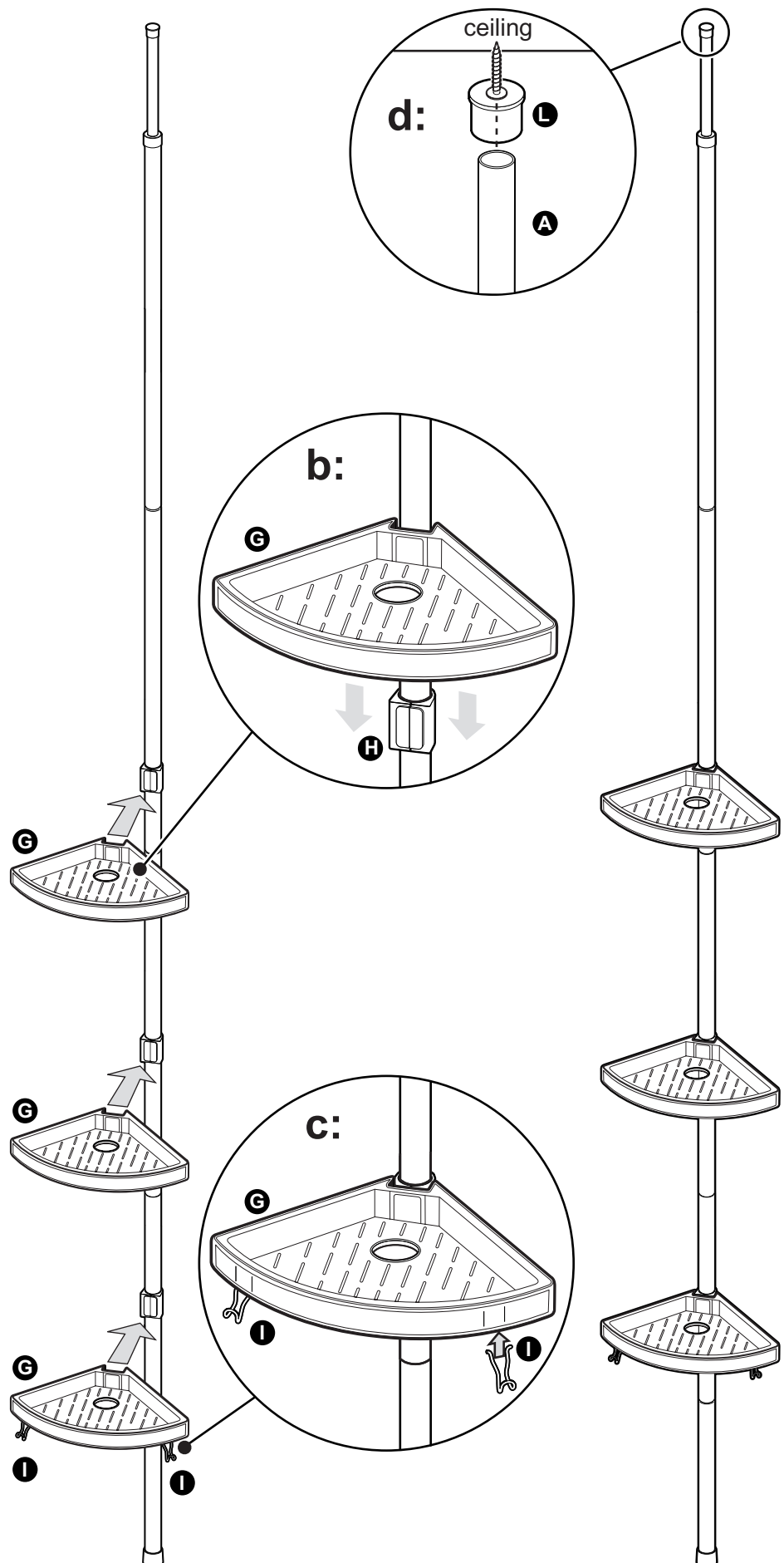


# Assembly Instructions

## Step 10

Connect 3 x **G** plastic shelves by sliding them downwards (**b:**) onto 3 x **H** plastic shelf brackets.

Connect 2 x **I** metal hooks (**c:**) to the bottom of the front of the plastic shelf **G** by slightly pinching the hooks and sliding them upwards into their location slots.



## Step 11

Using the compression guide in **Step 1** position your floor to ceiling corner shelf. If you require extra security to the unit a small screw may be used (**d:**) to attach small plastic tube end to the ceiling.

**Assembly complete.**